

MODEL:1812GFN30



输出功率：约0.1~1.5W
精密金属蜗杆齿轮减速电机

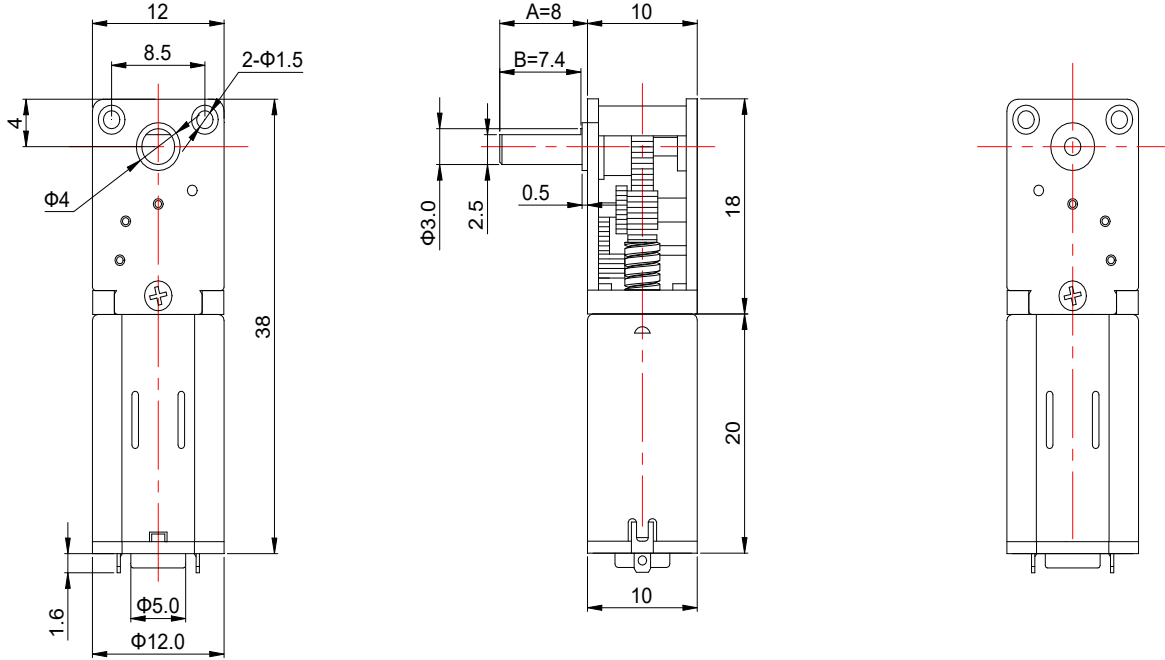
OUTPUT:APPROX 0.1~1.5W
Precision Metal Worm Gear Motor

典型应用： 电子门锁
智能家居
智能机器人
家用电器

Typical Applications: Electronic Door Lock
Smart Home
Smart Robot
Household Appliances

1.OUTLINE DRAWING:

UNIT:MM



Customizable Parameters:

1. Length A and B ,Double out the shaft
2. Electric Performance
3. Output shaft specifications
4. Reduction Ratio
5. Encoder can be added

WEIGHT: 15.5g(Approx)

View:



2.GRARBOX REDUCTION RATIO:

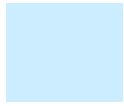
Gearbox Length (mm)	Stage Number	Reduction Ratio						Rated Troque	Bea Maxi Instant
		g.cm							
18	4	20/1	40/1	120/1	235/1	300/1	600/1	1500	3000

3.MOTOR PERFORMANCE :

1mN.m \approx 10.2g.cm \approx 0.142

FF-N30TA (Metal brushes) 6.0VDC 15000rpm

MODEL	REDUCTIO N RATIO	VOLTAGE		NO LOAD		AT MAXIMUM EFFICIENCY				ST
		OPERATING RANGE	NOMINA	SPEED	CURREN	SPEED	CURREN	TORQUE	OUPUT	TORQUE
			V	rpm	A	rpm	A	g.cm	W	g.cm
1812GFN30-20-06750	201	3.0~6.0	6.0	750	0.04	610	0.18	65	0.41	350
1812GFN30-40-06375	40/1	3.0~6.0	6.0	375	0.04	305	0.18	130	0.41	700
1812GFN30-120-06125	120/1	3.0~6.0	6.0	125	0.04	102	0.18	380	0.40	2100
1812GFN30-235-0663	235/1	3.0~6.0	6.0	63	0.04	51	0.18	750	0.39	4100
1812GFN30-300-0650	300/1	3.0~6.0	6.0	50	0.04	40	0.18	960	0.39	2370



M



able
imum
Torque
000

oz.in



ALL
CURREN
A
0.8
0.8
0.8
0.8
0.8