



输出功率：约0.2~3.0W
精密金属齿轮减速电机

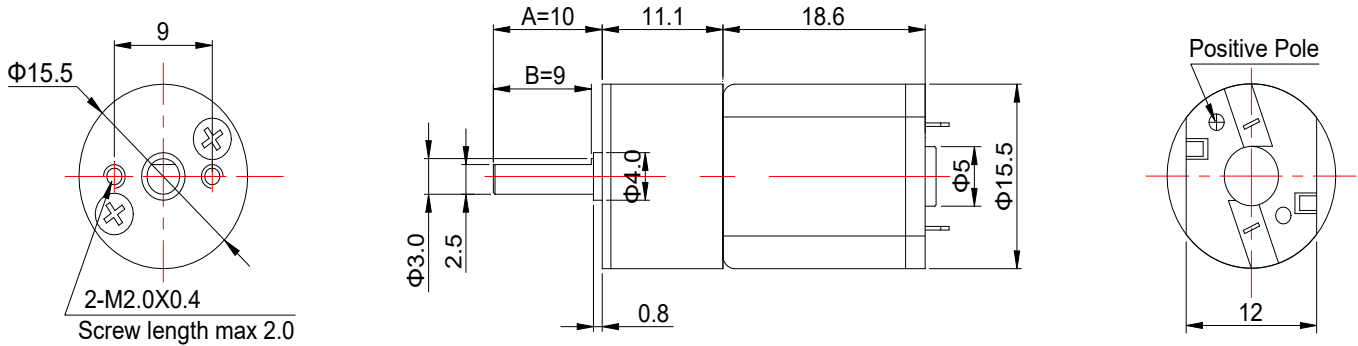
典型应用： 电子门锁
智能家居
智能机器人
电动玩具

OUTPUT:APPROX 0.2~3.0W
Precision Metal Gear Motor

Typical Applications: Electronic Door Lock
Smart Home
Smart Robot
Electric Toys

1.OUTLINE DRAWING:

UNIT:MM



Customizable Parameters:

1. Length A and B
2. Electric Performance
3. Output shaft specifications
4. Reduction Ratio

WEIGHT: 19g(Approx)

View:



2.GEARBOX REDUCTION RATIO:

Gearbox Length (mm)	Stage Number	Reduction Ratio						Rated Troque	Bearable Maximum Instant Torque
		kg.cm							
11	2	6/1	9/1					0.2	0.5
	3	16/1	20/1	26/1	30/1			0.3	0.7
	4	35/1	52/1	60/1	63/1	85/1	100/1	0.4	0.8
	5	150/1	215/1	250/1	298/1	330/1	360/1	0.5	1.0

3.MOTOR PERFORMANCE :

1N.m \approx 10.2kg.cm \approx 14.2oz.in

FF-030PA (Metal brushes) 6.0VDC 12000rpm											
MODEL	REDUCTION RATIO	VOLTAGE		NO LOAD		AT MAXIMUM EFFICIENCY				STALL	
		OPERATING RANGE	NOMINAL V	SPEED rpm	CURRENT A	SPEED rpm	CURRENT A	TORQUE kg.cm	OUTPUT W	TORQUE kg.cm	CURRENT A
16GR030-6-062000	6/1	3.0~7.0	6.0	2000	0.05	1530	0.17	0.025	0.39	0.106	0.56
16GR030-9-061330	9/1	3.0~7.0	6.0	1330	0.05	1007	0.17	0.04	0.41	0.165	0.56
16GR030-16-06750	16/1	3.0~7.0	6.0	750	0.05	572	0.17	0.03	0.18	0.253	0.56
16GR030-20-06600	20/1	3.0~7.0	6.0	600	0.05	460	0.17	0.075	0.35	0.316	0.56
16GR030-30-06400	30/1	3.0~7.0	6.0	400	0.05	307	0.17	0.11	0.35	0.475	0.56
16GR030-52-06230	52/1	3.0~7.0	6.0	230	0.05	177	0.17	0.18	0.33	0.76	0.56
16GR030-63-06190	63/1	3.0~7.0	6.0	190	0.05	146	0.17	0.21	0.31	0.92	0.56
16GR030-85-06140	85/1	3.0~7.0	6.0	140	0.05	107	0.17	0.29	0.32	1.23	0.56

16GR030-100-06120	100/1	3.0~7.0	6.0	120	0.05	91	0.17	0.34	0.32	1.45	0.56
16GR030-150-0680	150/1	3.0~7.0	6.0	80	0.05	61	0.17	0.45	0.28	1.95	0.56
16GR030-215-0655	215/1	3.0~7.0	6.0	55	0.05	42	0.17	0.65	0.28	2.79	0.56
16GR030-250-0648	250/1	3.0~7.0	6.0	48	0.05	37	0.17	0.75	0.28	3.25	0.56
16GR030-298-0640	298/1	3.0~7.0	6.0	40	0.05	30	0.17	0.9	0.28	3.87	0.56
16GR030-360-0633	360/1	3.0~7.0	6.0	33	0.05	26	0.16	1	0.27	4.67	0.56