



输出功率：约2.0~40.0W  
行星齿轮无刷减速电机

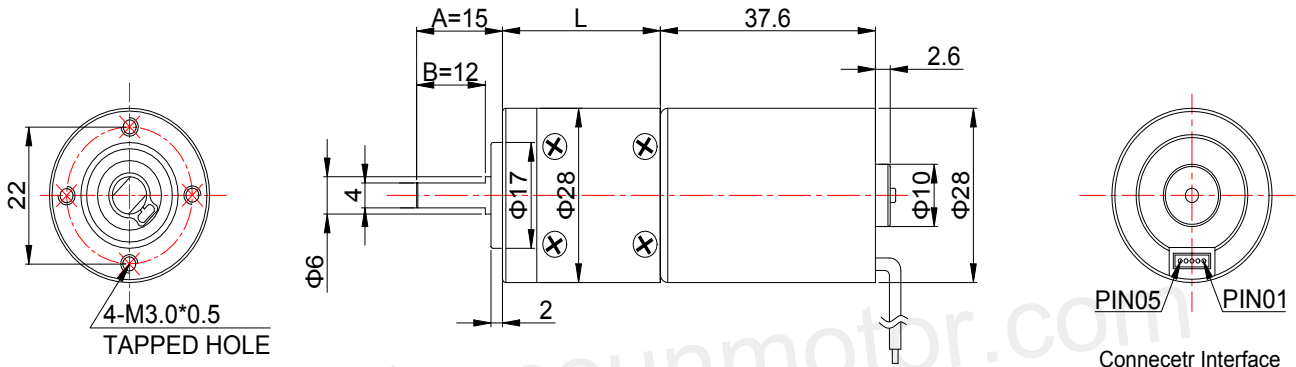
OUTPUT:APPROX 2.0~40.0W  
Planetary Brushless Gear Motor

典型应用： 电动窗帘  
智能家居  
智能机器人  
精密仪器

Typical Applications: Electric Curtains  
Smart Home Appliance  
Smart Robot  
Precision Instruments

## 1.OUTLINE DRAWING:

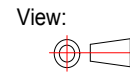
UNIT:MM



Customizable Parameters:

1. Length L、 A and B
2. Electric Performance
3. Output shaft specifications
4. Reduction Ratio

WEIGHT: 260g(Approx)



| NO. | PIN ARRANGEMENT     |
|-----|---------------------|
| 1   | VCC(Red Wire)       |
| 2   | FG(Green Wire)      |
| 3   | CW/CCW(Yellow Wire) |
| 4   | GND(Black Wire)     |
| 5   | PWM(Blue Wire)      |

## 2.GEARBOX REDUCTION RATIO:

| Gearbox Length (mm) | Stage Number | Reduction Ratio |       |       |       |       |  | Rated Torque | Bearable Maximum Instant Torque |
|---------------------|--------------|-----------------|-------|-------|-------|-------|--|--------------|---------------------------------|
|                     |              | kg.cm           |       |       |       |       |  |              |                                 |
| 27.5                | 1            | 3.7/1           | 5.2/1 |       |       |       |  | 5.0          | 10.0                            |
| 35.5                | 2            | 14/1            | 19/1  | 27/1  |       |       |  | 8.0          | 20.0                            |
| 43.5                | 3            | 51/1            | 71/1  | 100/1 | 139/1 |       |  | 15.0         | 30.0                            |
| 51.5                | 4            | 189/1           | 264/1 | 369/1 | 515/1 | 721/1 |  | 20.0         | 40.0                            |

## 3.MOTOR PERFORMANCE :

1N.m≈10.2kg.cm≈14.2oz.in

| MODEL             | REDUCTION RATIO | VOLTAGE         |         | NO LOAD |         | AT MAXIMUM EFFICIENCY |         |        |        | STALL  |         |
|-------------------|-----------------|-----------------|---------|---------|---------|-----------------------|---------|--------|--------|--------|---------|
|                   |                 | OPERATING RANGE | NOMINAL | SPEED   | CURRENT | SPEED                 | CURRENT | TORQUE | OUTPUT | TORQUE | CURRENT |
|                   |                 |                 |         |         |         |                       |         |        |        |        |         |
| 28PA2838-27-12330 | 27/1            | 8.0~15.0        | 12.0    | 330     | 0.25    | 264                   | 1.2     | 2.5    | 6.77   | 12.68  | 5       |
| 28PA2838-71-12125 | 71/1            | 8.0~15.0        | 12.0    | 125     | 0.25    | 100                   | 1.2     | 6.9    | 7.08   | 34.25  | 5       |
| 28PA2838-139-1264 | 139/1           | 8.0~15.0        | 12.0    | 64      | 0.25    | 52                    | 1.1     | 12     | 6.40   | 65.8   | 5       |
| 28PA2838-264-2435 | 264/1           | 8.0~26.0        | 24.0    | 35      | 0.2     | 30                    | 0.8     | 20     | 6.15   | 156.8  | 4.6     |
| 28PA2838-515-2418 | 515/1           | 8.0~26.0        | 24.0    | 18      | 0.21    | 16.2                  | 0.7     | 30     | 4.98   | 309.4  | 7.8     |