

输出功率: 约4~200W

碳刷马达

典型应用: 家用电器

电动玩具

电动工具

OUTPUT:APPROX 4~200W

Carbon-brush Motors

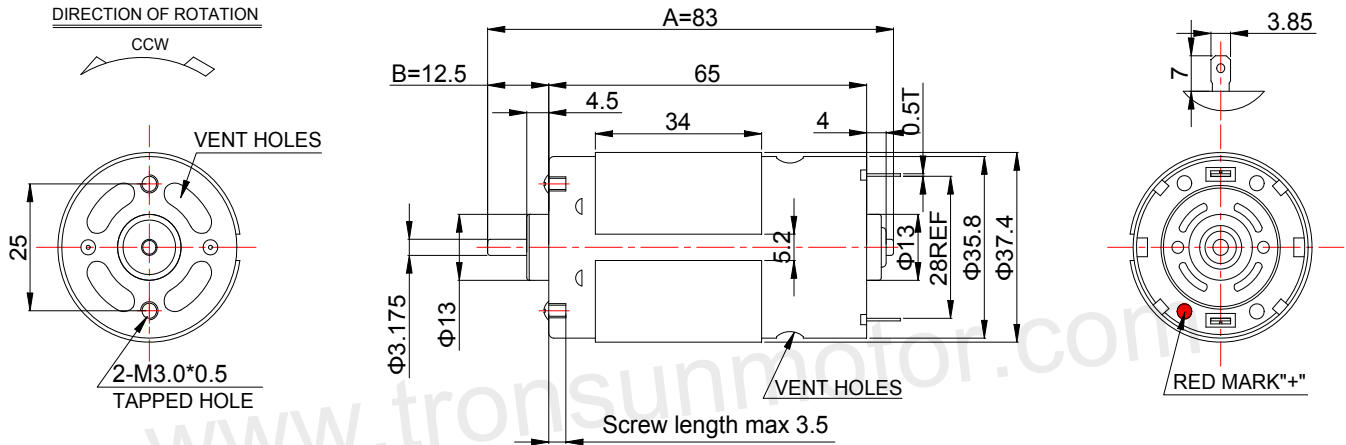
Typical Applications: Household Appliances

Electric Toys

Electrical Tools

1.OUTLINE DRAWING:

UNIT:MM

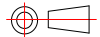


Customizable Parameters:

1. Length A and B
2. Electric Performance
3. Direction of Rotation

WEIGHT: 260g(Approx)

View:



2.MOTOR PERFORMANCE :

MODEL	VOLTAGE		NO LOAD		AT MAXIMUM EFFICIENCY				STALL			
	OPERATING RANGE	NOMINAL V	SPEED rpm	CURRENT A	SPEED rpm	CURRENT A	TORQUE g.cm	TORQUE mN.m	OUTPUT W	TORQUE g.cm	TORQUE mN.m	CURRENT A
RS-590PH-28145R	5.0~13.0	12.0	3000	0.11	2578	0.67	213.4	20.94	5.64	1516	148.77	4.10
RS-595PH-5542R	5.0~14.0	13.0	11200	0.54	9912	4.16	398.7	39.13	40.53	3468	340.33	32.00
RS-590PH-7523R	5.0~13.0	12.0	18500	1.28	16311	9.30	495	48.58	82.81	4178	410.01	69.50
RS-595H-2175R	5.0~13.0	12.0	3000	0.12	2550	0.69	235	23.06	6.15	1580	155.05	3.92

